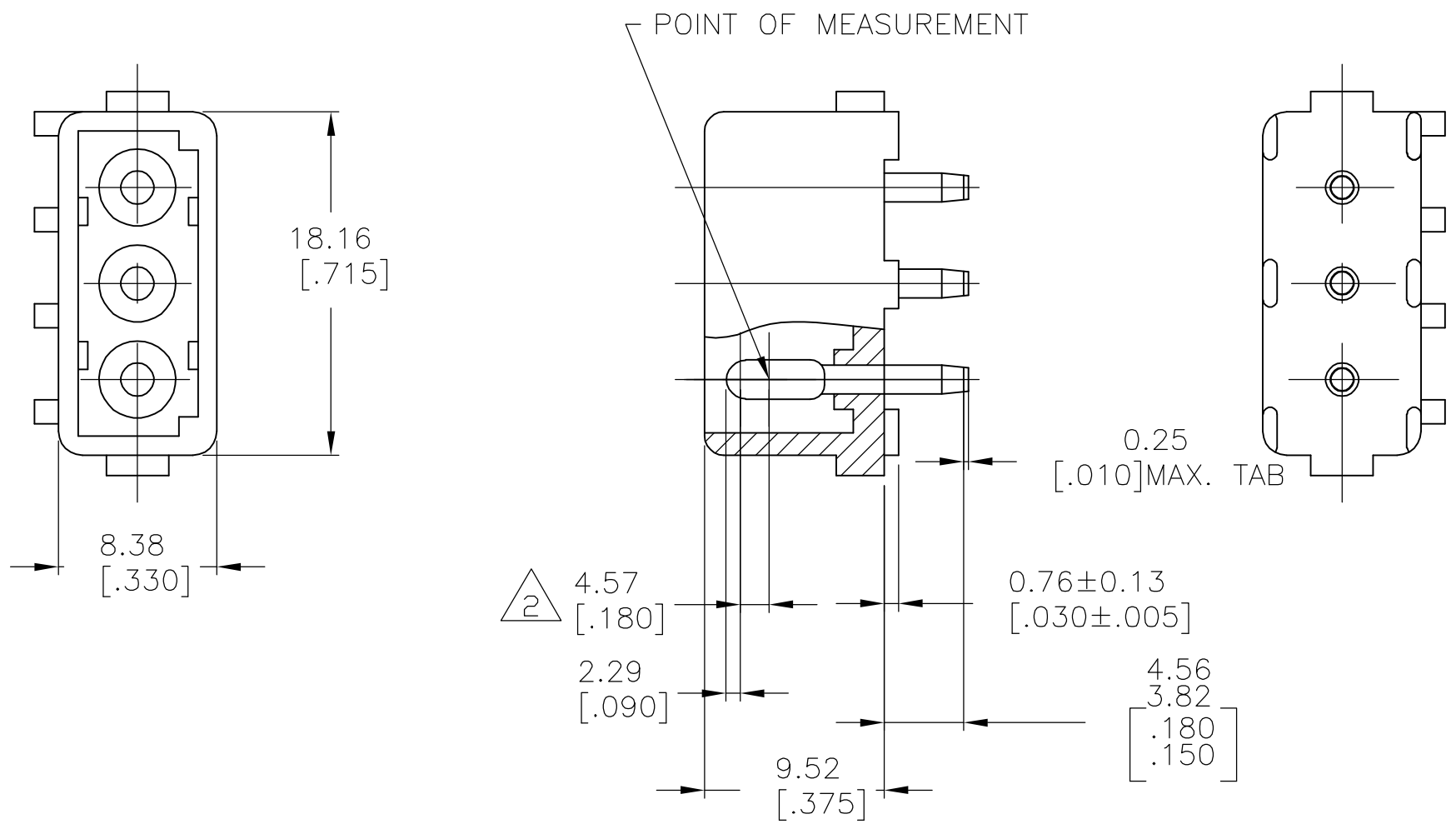
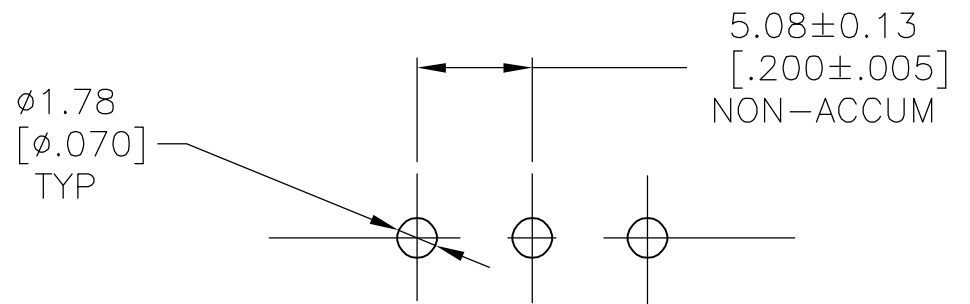


THIS DRAWING IS UNPUBLISHED. RELEASED FOR PUBLICATION
 © COPYRIGHT - BY TYCO ELECTRONICS CORPORATION. ALL RIGHTS RESERVED.

LOC	DIST	REVISIONS					
CM	00	P	LTR	DESCRIPTION	DATE	DWN	APVD
			0	RELEASED PER 0G3B-1134-04	06OCT05	APB	DC



- PARTS MUST COMPLY WITH SOLDERABILITY SPEC. 109-11-3.
- CONTACT IS PLATED OVERALL WITH .000050 NICKEL, THEN .000030 GOLD OVER CONTACT LENGTH INDICATED AND MATTE TIN ON SOLDER TAIL END.



RECOMMENDED LAYOUT FOR
 1.575 [0.062] THICK P.C. BOARD

METRIC

THIS DRAWING IS A CONTROLLED DOCUMENT.	
DIMENSIONS: mm [INCHES]	TOLERANCES UNLESS OTHERWISE SPECIFIED:
	0 PLC ± -
	1 PLC ± -
	2 PLC ± -
	3 PLC ± -
	4 PLC ± -
	ANGLES ± -
MATERIAL SEE TABLE	FINISH SEE TABLE

DWN	ARJUN	06OCT2005	1586514-2				NYLON-NATURAL	COPPER ALLOY-GOLD
CHK	D.COLEY	06OCT2005	ASSEMBLY NO.				HSG, MATL& COLOR	PIN MATL & FINISH
APVD	D.COLEY	06OCT2005	NAME				Tyco Electronics Corporation Harrisburg, PA 17105-3608	
PRODUCT SPEC	3 CIRCUIT COMMERCIAL MATE-N-LOK(TM) HEADER							
APPLICATION SPEC	-							
WEIGHT	-	SIZE	A3	CAGE CODE	00779	DRAWING NO	C-1586514	
CUSTOMER DRAWING				SCALE	3:1	SHEET	1 OF 1	
				REV	0	RESTRICTED TO		